

TRINITRON[®] Color Video Monitor

PVM-1344Q

PVM-1342Q

PVM-1341

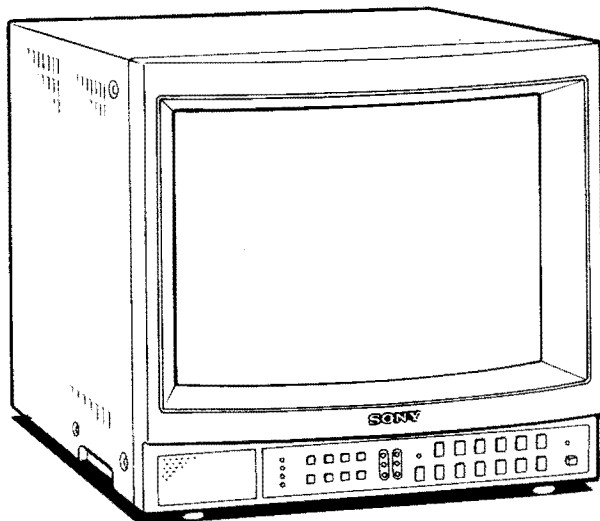
PVM-1340

Operating Instructions Page 2

Before operating the unit, please read this manual thoroughly and retain it for future reference.

Mode d'emploi Page 16

Avant la mise en service de cet appareil, prière de lire attentivement ce mode d'emploi que l'on conservera pour toute référence ultérieure.



This illustration shows
PVM-1342Q/PVM-1341.

Cette illustration représente les modèles
PVM-1342Q/PVM-1341.

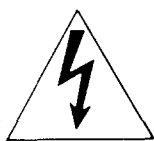
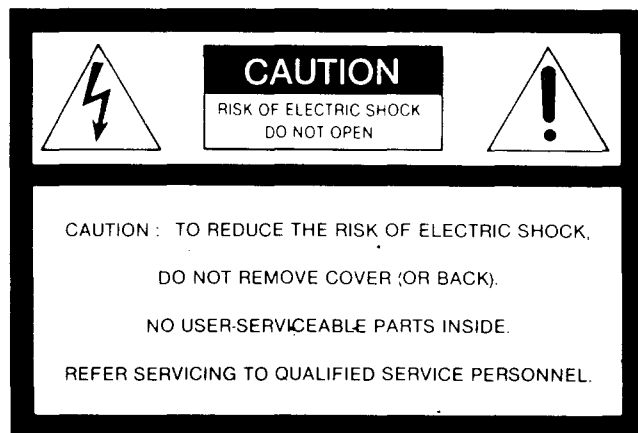
Owner's Record

The model and serial numbers are located on the rear. Record the model and serial numbers in the spaces provided below. Refer to these numbers whenever you call upon your Sony dealer regarding this product.

Model No. _____ Serial No. _____

WARNING

To prevent fire or shock hazard, do not expose the unit to rain or moisture.



This symbol is intended to alert the user to the presence of uninsulated "dangerous voltage" within the product's enclosure that may be of sufficient magnitude to constitute a risk of electric shock to persons.



This symbol is intended to alert the user to the presence of important operating and maintenance (servicing) instructions in the literature accompanying the appliance.

For the Customers in the USA

Warning — This equipment generates, uses, and can radiate radio frequency energy and if not installed and used in accordance with the instructions manual, may cause interference to radio communications. It has been tested and found to comply with the limits for a Class A computing device pursuant to Subpart J of Part 15 of FCC Rules, which

are designed to provide reasonable protection against such interference when operated in a commercial environment. Operation of this equipment in a residential area is likely to cause interference in which case the user at his own expense will be required to take whatever measures may be required to correct the interference.

Important-To insure that the complete system (including this peripheral) is capable of complying with the FCC requirements, it is recommended that the user make sure that the individual equipment of the complete system has a label with one of the following statements.

"This equipment has been tested with a Class A Computing Device and has been found to comply with Part 15 of FCC Rules."

-or-

"This equipment complies with the requirements in Part 15 of FCC Rules for a Class A Computing Device."

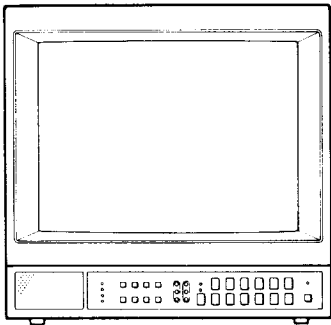
-or equivalent.

Table of Contents

Precautions	3
Features	4
Location and function of parts and controls	6
Front panel	6
Rear panel	10
Specifications	13

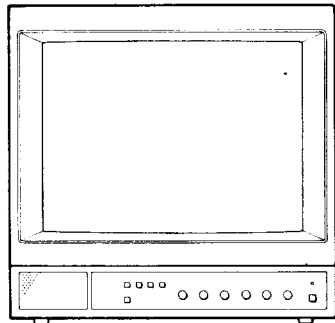
This instruction manual covers the following models. The main differences are shown on page 4.

PVM-1344Q/PVM-1342Q/PVM-1341



- PVM-1341 has no color system indicators.
- Only PVM-1344Q has a MEMORY button.

PVM-1340



For the customers in Canada

This apparatus complies with the Class A limits for radio noise emissions set out in Radio Interference Regulations.

Precautions

On safety

- Operate the unit only on 120 V AC.
- Should any solid object or liquid fall into the cabinet, unplug the unit and have it checked by qualified personnel before operating it any further.
- Unplug the unit from the wall outlet if it is not to be used for several days or more.
- To disconnect the AC power cord, pull it out by grasping the plug. Never pull the cord itself.

On installation

- Allow adequate air circulation to prevent internal heat build-up.
Do not place the unit on surfaces (rugs, blankets, etc.) or near materials (curtains, draperies) that may block the ventilation holes.
- Do not install the unit in a location near heat sources such as radiators or air ducts, or in a place subject to direct sunlight, excessive dust, mechanical vibration or shock.

On cleaning

To keep the unit looking brand-new, periodically clean it with a soft cloth. Stubborn stains may be removed with a cloth lightly dampened with a mild detergent solution. Never use strong solvents such as thinner or benzine, or abrasive cleansers since these will damage the cabinet. As a safety precaution, unplug the unit before cleaning it.

On repacking

Do not throw away the carton and packing materials. They make an ideal container in which to transport the unit. When shipping the unit to another location, repack it as illustrated on the carton.

If you have any questions about this unit, contact your authorized Sony dealer.

Features

This chart shows the various features which your model has (indicated as "Yes").

Features	PVM-1344Q	PVM-1342Q	PVM-1341	PVM-1340
Automatic white balance circuit	Yes	Yes	Yes	Yes
SMPTE-C phosphor	Yes	Yes	No	No
Black-tinted Trinitron tube	No	No	Yes	Yes
Super Fine Pitch Trinitron picture tube	Yes	Yes	No	No
Analog RGB/component input/output	Yes	No	No	No
Analog RGB input/output	No	Yes	Yes	Input: Yes Output: No
Digital RGB input (9-pin)	No	Yes	Yes	No
Y/C input (4-pin DIN)	Yes	Yes	Yes	Yes
VTR input (8-pin)	Yes	Yes	Yes	Yes
Control S input/output	Yes	Yes	Yes	No
Automatic termination of BNC-type input connectors	Yes	Yes	Yes	Yes
Color systems available	PAL, SECAM, NTSC3.58 NTSC4.43		NTSC3.58 only	NTSC3.58 only
Comb filter	Yes	Yes	Yes	Yes
Blue only mode	Yes	Yes	Yes	Yes
Underscan mode	Yes	Yes	Yes	No
Horizontal/vertical delay mode	Yes	Yes	Yes	No
Users control memory	Yes	No	No	No
External sync input	Yes	Yes	Yes	No
Color temperature selector	Yes	Yes	Yes	Yes
Light-touch picture adjustment buttons	Yes	Yes	Yes	No
EIA standard 19-inch rack mounting	Yes	Yes	Yes	Yes

Automatic white balance circuit

The automatic white balance circuit compensates for the beam distortion, secular distortion of the cathode-ray tube, etc., and always reproduces the same white display on the screen. This allows an extended use of the monitor.

Super Fine Pitch Trinitron picture tube

(PVM-1344Q/PVM-1342Q only)

The Super Fine Pitch Trinitron picture tube (0.25 mm aperture grill) gives high resolution picture. Horizontal resolution is more than 600 TV lines at the center of the picture. When used as a character display, up to 2,000 characters (80 characters/line × 25 lines) can be displayed with great clarity.

Analog RGB/component connector (PVM-1344Q only)

Analog RGB and component signals of a video equipment can be input through this connector. The signals are selected by the COMPO/RGB selector on the rear panel.

Analog RGB connector

Analog RGB signal of a video equipment can be input through this connector.

Digital RGB input connector

Digital RGB signal from a microcomputer can be input through this connector.

Y/C input connector

The video signal split into the chrominance signal (C) and the luminance signal (Y) can be input through this connector, eliminating the interference between the two signals which tends to occur in a composite video signal and assuring the video quality.

VTR input connector

When connected to a VCR having the 8-pin TV connector, video and audio signals can be fed through this connector with a single cable.

Control S connector (except PVM-1340)

When this connector is connected to the "control S" output of other equipment, the remote controls of the aperture, brightness, chroma, phase, contrast and volume settings are possible.

Automatic termination of BNC-type input connector

The BNC-type input connector is terminated at 75 ohms inside, when no cable is connected to the output connector. When the cable is connected to the output connector, the 75-ohms termination is automatically released, and the signal input to the corresponding IN connector is output from the output connector.

Four color systems available

(PVM-1344Q/PVM-1342Q only)

The monitor can display PAL, SECAM, NTSC_{3.58} and NTSC_{4.43}* signals. The appropriate color system is selected automatically.

* A signal of NTSC_{4.43} is obtained by playing back NTSC-recorded video cassettes with a video tape recorder/player especially designed for use with this system.

Comb Filter

When NTSC video signals are received, a comb filter activates to increase the resolution, resulting in fine picture detail without color spill or color noise.

Blue only mode

In the blue only mode, an apparent monochrome display is obtained with all three cathodes driven with a blue signal. This facilitates color saturation and phase adjustments and observation of VCR noise.

Underscan mode (except PVM-1340)

The signal normally scanned outside of the screen can be monitored in the underscan mode.

Note

The bright scanning lines which may appear on the top edge of the screen when the monitor is in the underscan mode are caused by an internal test signal, rather than the input signal.

Horizontal/vertical delay mode (except PVM-1340)

The horizontal and vertical sync signals can be checked simultaneously in the H/V delay mode.

Users control memory (PVM-1344Q only)

The desired aperture, brightness, chroma and phase levels can be memorized as the levels to be restored.

External sync input (except PVM-1340)

When the EXT SYNC (or ANALOG/DIGITAL (EXT SYNC)) button is depressed, the monitor can be operated on the sync signal supplied from an external sync generator.

Color temperature selector

Color temperature of either 9,300°K or 6,500°K is selectable with the COLOR TEMP selector. For precise adjustment, use the BIAS and GAIN adjustment controls (except PVM-1340).

Light-touch picture adjustment buttons (except PVM-1340)

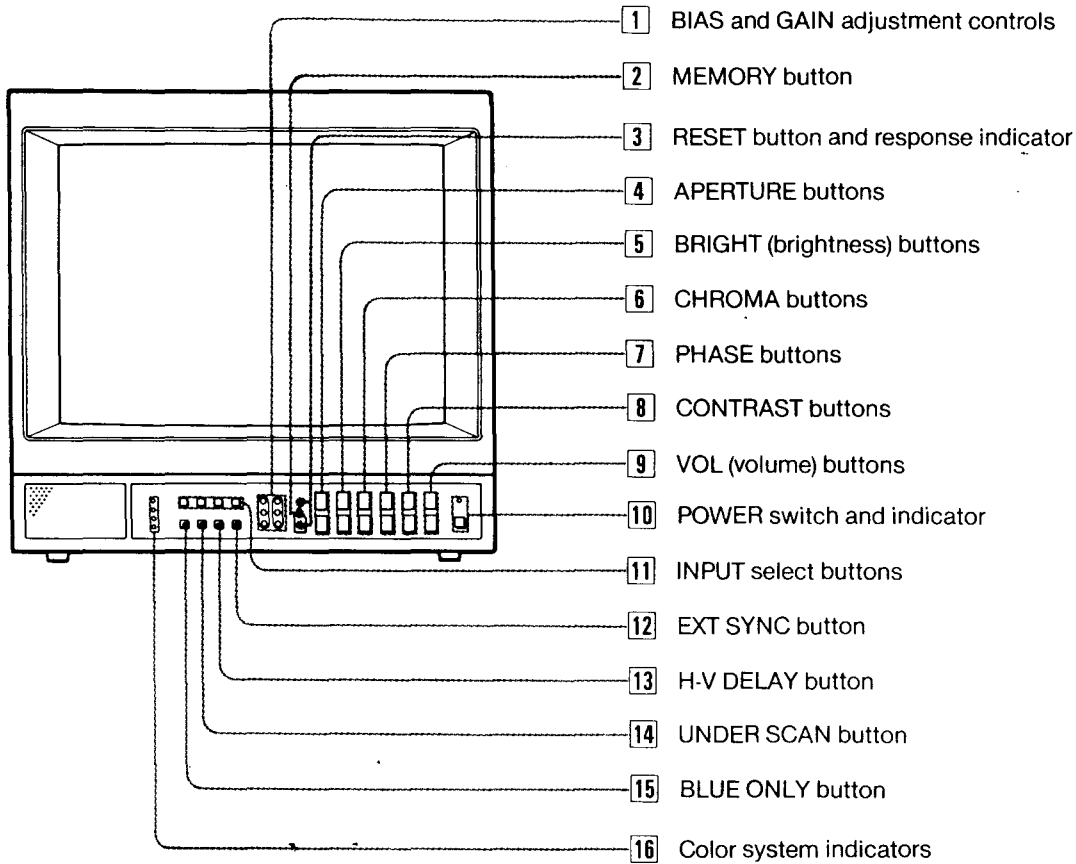
The aperture, brightness, chroma, phase, contrast and volume buttons can be adjusted by touching the buttons lightly. The adjusted settings will be stored in memory even when the monitor is turned off.

EIA standard 19-inch rack mounting

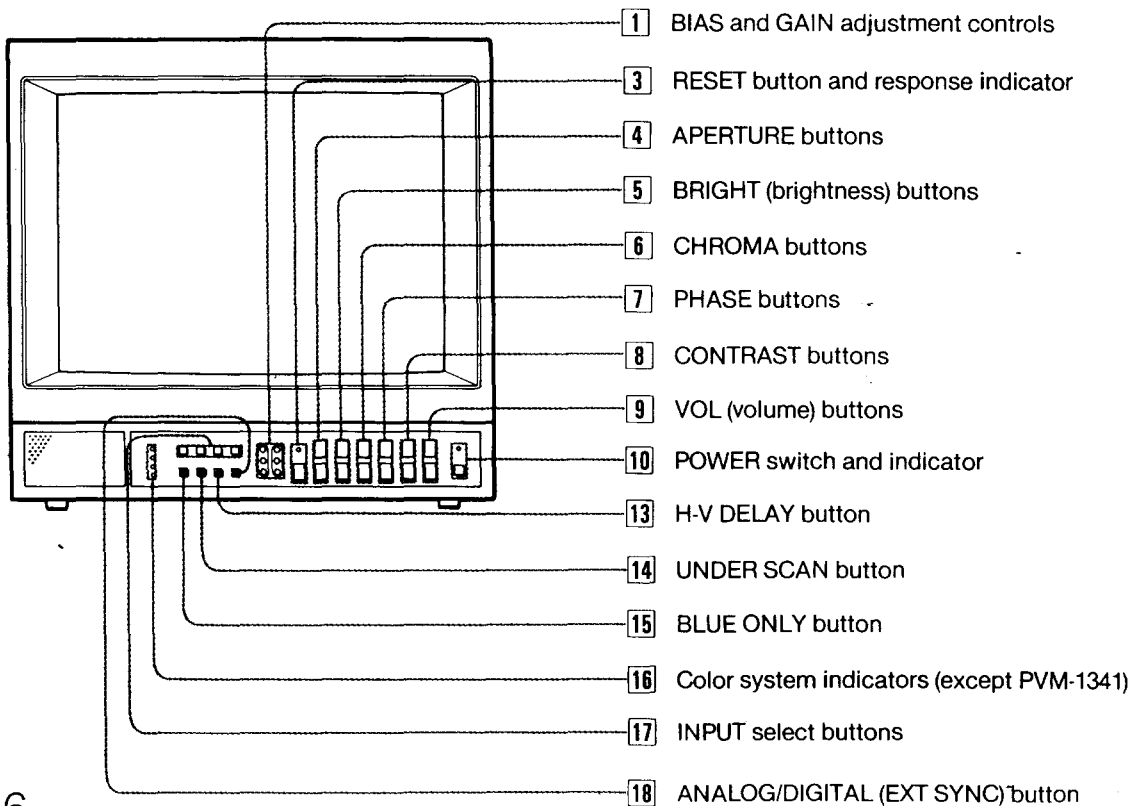
By using an optional MB-502A mounting bracket, the monitor can be mounted in an EIA standard 19-inch rack. An optional SLR-102 slide rail is also available. For details on mounting, see the appropriate instruction manual.

Location and Function of Parts and Controls

Front panel PVM-1344Q



Front panel PVM-1342Q/PVM-1341



1 BIAS and GAIN adjustment controls

Used for white balance adjustment.

Gain and BIAS controls are provided for the R (red), G (green) and B (blue) screens.

BIAS: Adjust the white balance and brightness of the screen at the lowlight with these controls.

GAIN: Adjust the white balance and contrast of the screen at the highlight with these controls.

2 MEMORY button

After setting the APERTURE, BRIGHT, CHROMA, and PHASE controls to the desired levels, press this button with a pencil or a similar object so that these levels can be memorized and the response indicator lights up. When the RESET button is pressed, the above control settings, and not the factory set levels, will be restored. To change the memorized levels, repeat the above operations.

To release the memorized levels and restore the factory set levels, while pressing this button, press the RESET button.

3 RESET button and response indicator

Press to return the PHASE, CHROMA, BRIGHT and APERTURE control settings to the factory set levels (memorized levels for PVM-1444QM).

The response indicator flashes when the above buttons or the RESET button is pressed.

4 APERTURE buttons

Press + for more sharpness or – for less.

5 BRIGHT (brightness) buttons

Press + for more brightness or – for less.

6 CHROMA buttons

Press + for more color intensity or – for less.

7 PHASE buttons

This button is effective only for the NTSC_{3.58} and NTSC_{4.43} color system.

Press GRN (green) to make the skin tones greenish or PUR (purple) to make them purplish.

Note

The APERTURE, CHROMA, PHASE control settings have no effect on the pictures of analog RGB or digital RGB signals.

8 CONTRAST buttons

Press + to make the contrast, color intensity and brightness stronger or – to make them weaker.

9 VOL (volume) buttons

Press + for more volume or – for less.

10 POWER switch and indicator

Depress to turn the monitor on.

The indicator will light up in green.

Press the switch again to turn the monitor off.

11 INPUT select buttons

Press to select the program to be monitored.

A: for a signal fed through the LINE A connectors.

B: for a signal fed through the LINE B connectors.

Y/C/VTR: for a signal fed through the Y/C-INPUT connectors or VTR connector.

When both the Y/C-INPUT and VTR connectors are connected to video equipment, the input signal fed through the Y/C-INPUT connector has priority over the one fed through the VTR connector.

ANALOG RGB/COMPONENT: for a signal fed through the ANALOG RGB/COMPONENT connectors.

For connection, refer to the explanation of ANALOG RGB/COMPONENT connectors on page 11.

12 EXT SYNC (external sync) button

Normally keep this button released (INT). The monitor operates on the sync signal from the displayed composite video signal.

To operate the monitor on an external sync signal fed through the EXT SYNC connector on the rear panel, depress the button (EXT).

13 H-V DELAY button

Depress to observe the horizontal and vertical sync signals at the same time.

The horizontal sync signal is displayed in the left quarter of the screen; the vertical signal is displayed near the center of the screen.

14 UNDER SCAN button

Depress for underscanning. The display size is reduced by approximately 3% so that four corners of the raster are visible.

15 BLUE ONLY button

Depress to turn off the red and green signals. A blue signal is displayed as an apparent monochrome picture on the screen. This facilitates "chroma" and "phase*" control adjustments and observation of VCR noise.

* "Phase" control adjustment is effective only for the NTSC signals.

16 Color system indicators

The indicator of the color system being received lights up in red.

17 INPUT select buttons

Press to select the program to be monitored.

A: for a signal fed through the LINE A connectors.

B: for a signal fed through the LINE B connectors.

Y/C/VTR: for a signal fed through the Y/C-INPUT connectors or VTR connector.

When both the Y/C-INPUT and VTR connectors are connected to video equipment, the input signal fed through the Y/C-INPUT connector has priority over the one fed through the VTR connector.

RGB: for a signal fed through the ANALOG RGB connectors or DIGITAL RGB connector.

18 ANALOG/DIGITAL (EXT SYNC) button

This button functions as ANALOG/DIGITAL selector and EXT SYNC selector.

As ANALOG/DIGITAL selector

Depress to monitor a signal fed through the ANALOG RGB connectors.

Release to monitor a signal fed through the DIGITAL RGB connector.

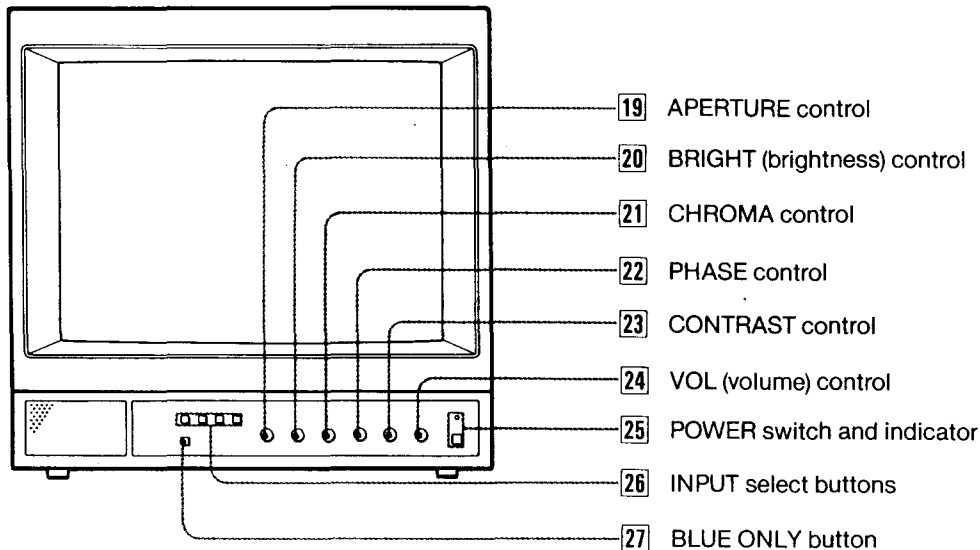
For EXT SYNC selector

Depress to operate the monitor on an external sync signal fed through the EXT SYNC connector on the rear panel (EXT).

Release to operate the monitor on the sync signal from the displayed composite video signal (INT).

Location and Function of Parts and Controls

Front panel PVM-1340



19 APERTURE control

Turn toward + for more sharpness or toward – for less.

20 BRIGHT (brightness) control

Turn toward + for more brightness or toward – for less. Normally set this control at the center detent position.

21 CHROMA control

Turn toward + for more color intensity or toward – for less.

22 PHASE control

Turn toward GRN (green) to make the skin tones greenish or toward PUR (purple) to make them purplish.

Note

The APERTURE, CHROMA, PHASE control settings have no effect on the pictures input through the ANALOG RGB IN connector.

23 CONTRAST control

Turn toward + to make the contrast, color intensity and brightness stronger or toward – to make them weaker.

24 VOL (volume) control

Turn toward + for more volume or toward – for less.

25 POWER switch and indicator

Same as 10.

26 INPUT select buttons

Press to select the program to be monitored.

A: for a signal fed through the LINE A connectors.

B: for a signal fed through the LINE B connectors.

Y/C/VTR: for a signal fed through the Y/C-INPUT connectors or VTR connector.

When both the Y/C-INPUT and VTR connectors are connected to video equipment, the input signal fed through the Y/C-INPUT connector has priority over the one fed through the VTR connector.

ANALOG RGB: for a signal fed through the ANALOG RGB input connectors.

27 BLUE ONLY button

Same as 15.

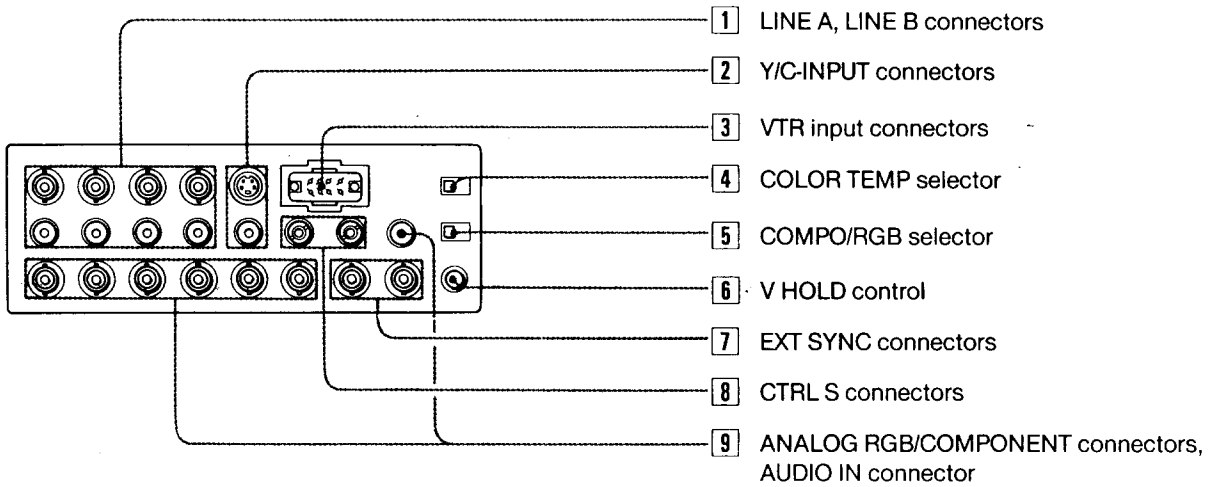
Picture Adjustment Buttons

The picture adjustment buttons of each monitor operate in the following input mode (indicated as "Yes").

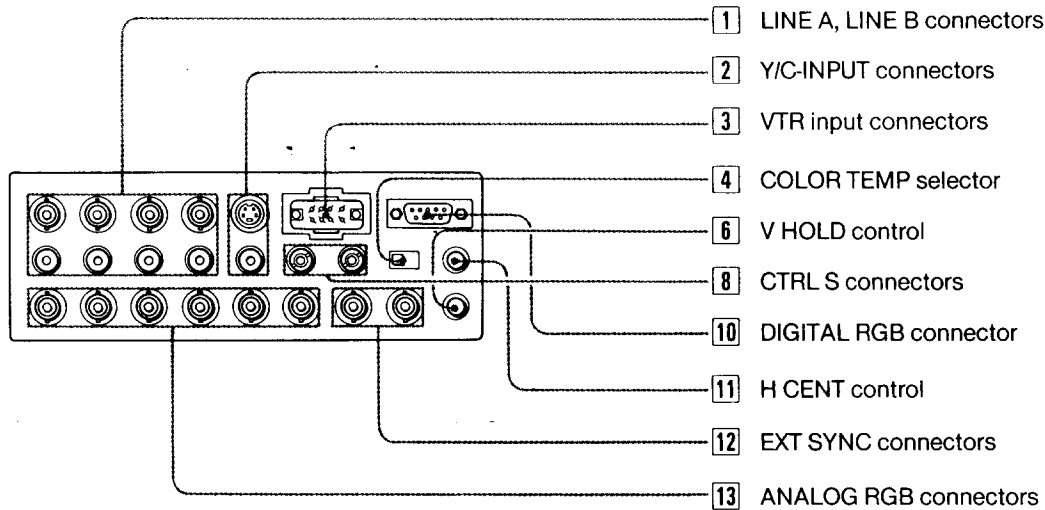
Model	Input mode	APERTURE	BRIGHT	CHROMA	PHASE	CONTRAST	VOL
PVM-1344Q	<ul style="list-style-type: none"> • LINE A, LINE B • Y/C • VTR 	Yes	Yes	Yes	Yes (NTSC only)	Yes	Yes
	Analog RGB	No	Yes	No	No	Yes	Yes
	Component	Yes	Yes	Yes	No	Yes	Yes
PVM-1342Q/ PVM-1341	<ul style="list-style-type: none"> • LINE A, LINE B • Y/C • VTR 	Yes	Yes	Yes	Yes (NTSC only)	Yes	Yes
	<ul style="list-style-type: none"> • Digital RGB • Analog RGB 	No	Yes	No	No	Yes	No
PVM-1340	<ul style="list-style-type: none"> • LINE A, LINE B • Y/C • VTR 	Yes	Yes	Yes	Yes (NTSC only)	Yes	Yes
	Analog RGB	No	Yes	No	No	Yes	No

Location and Function of Parts and Controls

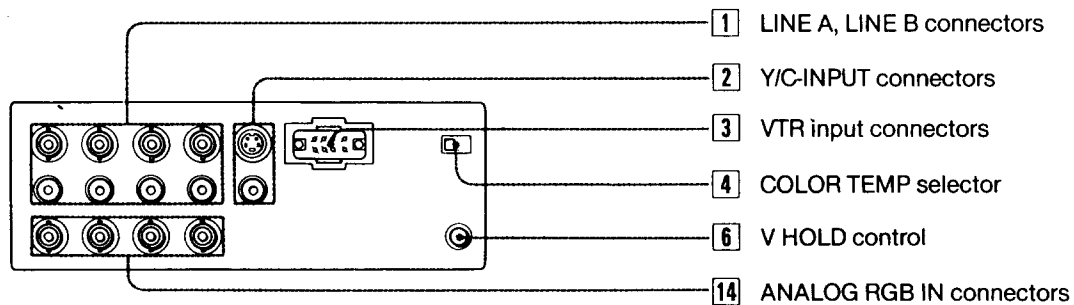
Rear panel PVM-1344Q



Rear panel PVM-1342Q/PVM-1341



Rear panel PVM-1340



1 LINE A, LINE B connectors

Two groups (A and B) of line input connectors for the composite video and audio signals and their loop-through output connectors.

To monitor the input signal fed through these connectors, press the A or B input select button on the front panel.

VIDEO IN (BNC type): Connect to the video output of a video equipment, such as a VCR or a color video camera. For a loop-through connection, connect to the video output of another monitor.

VIDEO OUT (BNC type): Loop-through output of the VIDEO IN connector. Connect to the video input for a VCR or another monitor.

When the cable is connected to this connector, the 75-ohms termination of the input is automatically released, and the signal input to the VIDEO IN connector is output from this connector.

AUDIO IN (phono jack): Connect to the audio output of a VCR or to a microphone via a suitable microphone amplifier. For a loop-through connection, connect to the audio output of another monitor.

AUDIO OUT (phono jack): Loop-through output of the AUDIO IN jack. Connect to the audio input of a VCR or another monitor.

2 Y/C-INPUT connectors (4-pin)

VIDEO: Connect to the Y/C separate output of a video camera or a VCR.

AUDIO: Connect to the audio output of a video camera or a VCR.

To monitor the input signal fed through these connectors, press the Y/C/VTR button on the front panel.

3 VTR input connectors (8-pin)

Line input for the video and audio signals. When connected to the 8-pin TV connector of a VCR, the video and audio playback signal from the VCR can be connected with a single cable.

To monitor the input signal fed through this connector, press the Y/C/VTR button on the front panel, with the Y/C-INPUT connectors connected to no outputs.

When both VTR and Y/C-INPUT connectors are connected to video equipment, the input signal fed through the Y/C-INPUT connectors has priority over the one fed through the VTR connectors.

4 COLOR TEMP (temperature) selector

Select the color temperature position, 9300°K or 6500°K.

5 COMPO (component)/RGB selector

Set to COMPO to monitor component signal fed through the R/R-Y, G/Y, B/B-Y connectors.

Set to RGB to monitor analog R/G/B signal fed through the R/R-Y, G/Y, B/B-Y connectors.

6 V HOLD (vertical hold) control

Turn to stabilize the picture if it rolls vertically.

7 EXT SYNC (external sync) connectors (BNC type)

IN: Connect to the output of a sync generator.

To monitor the sync signal fed through this connector, depress the EXT SYNC button.

OUT: Loop-through output of the SYNC IN connector.

Connect to the SYNC input of a video camera.

When the cable is connected to this monitor, the 75-ohms termination of the input is released, and the signal input to the IN connector is output from this connector.

8 CTRL S (control S) connectors (minijack)

For remote control of the APERTURE, BRIGHT, CHROMA, PHASE, CONTRAST and VOL control buttons.

IN: Connect to the "control S" output of other equipment.

OUT: Connect to the CTRL S IN connector of another monitor by using a connecting cord (miniplug ↔ miniplug).

9 ANALOG RGB/COMPONENT connectors (BNC type) R/R-Y IN, G/Y IN, B/B-Y IN:

To monitor the analog R/G/B signal, connect to the analog R/G/B signal outputs of a video camera having no sync signal.

Set the COMPO/RGB selector on the rear panel to RGB and press the ANALOG RGB/COMPONENT button on the front panel. When the EXT SYNC button is released, the monitor operates on the sync signal from the G channel.

To monitor the component signal, connect to the R-YY/B-Y component signal outputs of a Sony BetaCam video camera. Set the COMPO/RGB selector on the rear panel to COMPO and press the ANALOG RGB/COMPONENT button on the front panel. When the EXT SYNC button is released, the monitor operates on the sync signal from the Y channel.

R/R-Y OUT, G/Y OUT, B/B-Y OUT:

Loop-through outputs of the R/R-Y IN, G/Y IN, B/B-Y IN connectors.

For R/G/B signal, connect to the analog R/G/B signal inputs of a video camera.

For component signal, connect to the R-YY/B-Y component signal inputs of a BETACAM video camera. When the cables are connected to these connectors, the 75-ohms termination of the input is automatically released, and the signal inputs to the R/R-Y IN, G/Y IN, B/B-Y IN connectors are output from these connectors.

AUDIO IN: Connect to the audio output of video equipment when the analog R/G/B or component signal is input.

Location and Function of Parts and Controls

10 DIGITAL RGB connector (9-pin)

Connect with a microcomputer having a digital (TTL level) RGB video output.

To monitor the input signal fed through this connector, press the RGB button and keep the ANALOG/DIGITAL (EXT SYNC) button released.

Note

For connection, be sure to use an optional SMF-520 connecting cable.

11 H CENT (horizontal centering) control

When a digital R/G/B signal is monitored, turn to center the picture if it is decentered.

12 EXT SYNC (external sync) connectors (BNC type)

IN: Connect to the output of a sync generator.

To monitor the sync signal fed through this connector, depress the ANALOG/DIGITAL (EXT SYNC) button.

OUT: Loop-through output of the SYNC IN connector.

Connect to the SYNC input of a video camera.

When the cable is connected to this connector, the 75-ohms termination of the input is released, and the signal input to the IN connector is output from this connector.

13 ANALOG RGB connectors (BNC type)

R/G/B IN: Connect to the analog R/G/B outputs of a video camera.

To monitor a signal fed through these connectors, press the RGB button and depress the ANALOG/DIGITAL (EXT SYNC) button.

R/G/B OUT: Loop-through outputs of the R/G/B IN connectors. Connect to the analog R/G/B inputs of a video camera.

When the cable is connected to these connectors, the 75-ohms termination of the input is released, and the signal input to the R/G/B OUT connector is output from these connectors.

14 ANALOG RGB IN connectors (BNC type)

R/G/B IN: Connect to the analog R/G/B outputs of a video camera.

SYNC IN: Connect to the SYNC output of a video camera.

Specifications



Video signal

Frequency response

Line input: More than 7 MHz (-3 dB)
 Y/C input: More than 8 MHz (-3 dB)
 Component (Y/R-Y/B-Y): More than 8 MHz (-3 dB)
 R.G.B. (analog): More than 9 MHz (-3 dB)

Chrominance subcarrier attenuation

3.58 MHz: Less than -30 dB (comb filter)
 4.43 MHz: Less than -36 dB (trap filter)

Band pass

3.58 MHz: 2 MHz equiband
 4.43 MHz: 2 MHz equiband

Chrominance/luminance

Time error
 Composite: Less than ±100 nS
 Y/C: Less than ±50 nS
 Component: Less than ±50 nS

Aperture correction

-4.5 to +6.5 dB (at 4.5 MHz)

Synchronization

AFC time constant: 1 msec

Line pull range

Horizontal: ±500 Hz
 Vertical: 8 Hz

Picture performance

Normal scan 7% overscan of CRT effective screen area
 Under scan 3% underscan of CRT effective screen area
 H. lineality Less than 6%
 V. lineality Less than 6%
 Convergence Central area: 0.6 mm (Typical)
 Peripheral area: 0.8 mm (Typical)

Raster size stability

H: 1.0%, V: 1.5%

High voltage regulation

3%

Audio output

0.6 W (Max.)

CRT

PVM-1344Q/PVM-1342Q:
 SMPTE-C (American-standard-phosphor)
 PVM-1341/PVM-1340: P-22

Chromaticity coordinates (SMPTE-C only)

	X	Y
Red	0.630	0.340
Green	0.310	0.595
Blue	0.155	0.070

(tolerance ±0.01)

Color temperature

6,500 K/9,300 K (+8MPCD), selectable

AC regulation range

110 - 130 V AC, 50/60 Hz

Power consumption

Approx. 99 W

Inputs

For all models

VIDEO IN: BNC connector

AUDIO IN: phono jack

VTR: 8-pin connector (See "VTR connector" on page 14.)

Y/C-INPUT

VIDEO: 4-pin connector (See "Y/C-INPUT connector" on page 15.)

AUDIO: phono jack

PVM-1344Q only

EXT SYNC: BNC connector

composite sync 1-4 Vp-p, negative, 75 ohms terminated automatically with no cable connected to the output connector

ANALOG RGB/COMPONENT: BNC connector

R, G, B and Y channels: 0.7 Vp-p, ±6 dB, non composite
 R-Y and B-Y channels: 0.7 Vp-p, ±6 dB

(Standard color bar signal of 75-percent chrominance)

When the composite signal is fed to the G or Y channels, the monitor can be activated in the internal sync mode.

75 ohms terminated automatically with no cable connected to the output connector

CTRL S: Minijack

PVM-1342Q/PVM-1341 only

EXT SYNC: BNC connector

composite sync 1-4 Vp-p, negative, 75 ohms terminated automatically with no cable connected to the output connector

ANALOG RGB: BNC connector

0.7 Vp-p, ±6 dB, non composite

75 ohms terminated automatically with no cable connected to the output connector

DIGITAL RGB: 9-pin connector (See "DIGITAL RGB connector" on page 14.)

CTRL S: Minijack

PVM-1340

ANALOG RGB: 0.7 Vp-p, ±6 dB, non composite
 75 ohms terminated

Outputs

For all models

VIDEO OUT: BNC connector, Loop-through

AUDIO OUT: Phono jack, Loop-through

PVM-1344Q only

EXT SYNC: BNC connector, Loop-through

ANALOG RGB/COMPONENT: BNC connector, Loop-through

CTRL S: Minijack, Loop-through

PVM-1342Q/PVM-1341 only

EXT SYNC: BNC connector, Loop-through

ANALOG RGB: BNC connector, Loop-through

CTRL S: Minijack, Loop-through

General

Storage temperature range

-10°C to 40°C (14°F to 104°F)

Operating temperature range

0°C to 35°C (32°F to 95°F)

Humidity

0 - 90%

Dimensions

Approx. 346 × 340 × 412 mm (w/h/d)
 (13⁵/₈ × 13¹/₂ × 16¹/₄ inches)

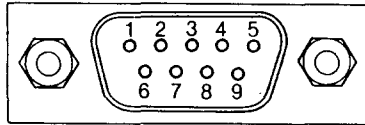
Weight

Approx. 16.5 kg (36 lb 6 oz)

Specifications

Pin assignment

DIGITAL RGB connector (9-pin)



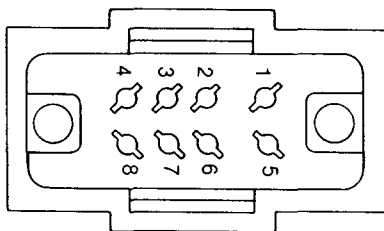
Pin No.	Signal	Signal level
1	GND (ground)	Ground
2	GND for the signal	Ground
3	Red input	Positive polarity (TTL level)
4	Green input	↑
5	Blue input	↑
6	Intensity	↑
7	NC (no connection)	—
8	H-SYNC	Positive or negative polarity (TTL level)
9	V-SYNC	Same polarity as H-SYNC (TTL level)

Note

If the intensity function of Pin No. 6 is not used, set the internal switch on the Qd board to the B position, and connect the Pin No. 6 to the GND. With this setting, when the positive intensity signal synchronized to the characters on the screen is fed, the luminance of the characters will be increased.

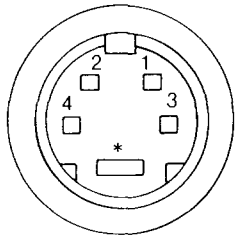
If the specific intensity function, such as that of an IBM microcomputer, is used, set the internal switch on the Qd board to the A position, and feed the intensity control signal to Pin No. 6.

VTR connector (8-pin)



Pin No.	Signal	Description
1	Audio input	-5 dBs, high input impedance (more than 47 kilohms)
2	Video input	Composite 1 Vp-p, sync negative, 75 ohms
3	GND	GND
4	NC	↔
5	GND	GND
6	GND	GND
7	GND	GND
8	GND	GND

Y/C (Y/C separate) INPUT connector (4-pin)



Pin No.	Signal	Description
1	Y-input	1 Vp-p, sync negative, 75 ohms
2	CHROMA sub-carrier-input	300 mVp-p, burst Delay time between Y and C: within 0 ± 100 nsec., 75 ohms
3	GND for Y-input	Ground
4	GND for CHROMA-input	Ground
*	Slot for internal switch	Press the switch inside this slot. The signal from Y/C-INPUT connector has priority over the one from VTR (8-pin) connector.

Design and specifications subject to change without notice.